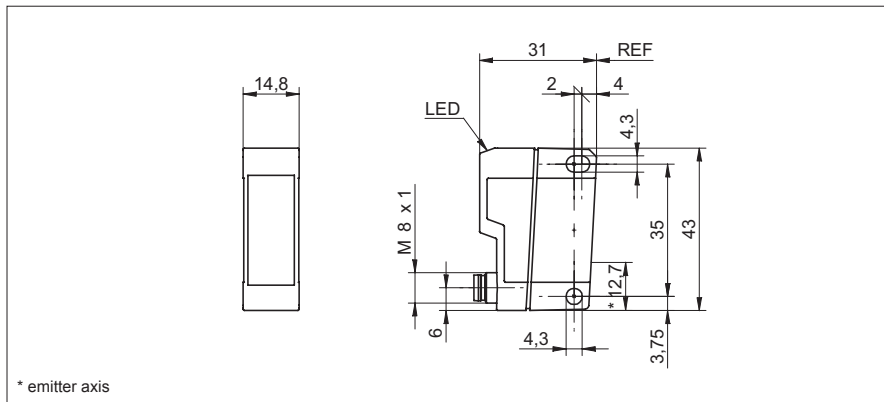


Distance sensor

FADK 14I4470/S35A

Mat.-No.: 11003897

dimension drawing

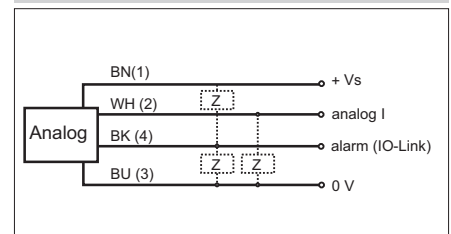


- analog distance measuring sensor with red light LED
- IO-Link

general data

sensing element	photoelectric array
measuring distance Sd	50 ... 400 mm
adjustment	IO-Link
power on indication	LED green
soiled lens indicator	LED red
resolution	0,1 ... 1 mm
linearity error	±0,4 ... 3 mm
light source	pulsed point source LED
wave length	660 nm
beam type	point
beam diameter	approx. 6 mm (at Sd = 300 mm)

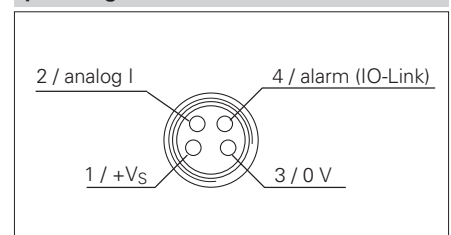
connection diagram



electrical data

response time / release time	≤ 5 ms
voltage supply range +Vs	tbd
current consumption max.	tbd
output circuit	analog
output signal	4 ... 20 mA
load resistance (analog I)	tbd
output current	< 100 mA
alarm output	push-pull
short circuit protection	yes
reverse polarity protection	yes, Vs to GND
IO-Link	yes

pin assignment



mechanical data

width / diameter	14,8 mm
height / length	43 mm
depth	31 mm
housing material	plastic (ASA, MABS)
front (optics)	PMMA
connection types	connector M8 4 pin

ambient conditions

operating temperature	tbd
protection class	IP 67

Technical specifications subject to change

Drawn: 05.03.09/in

Checked: 06.03.09/rek

Released: preliminary

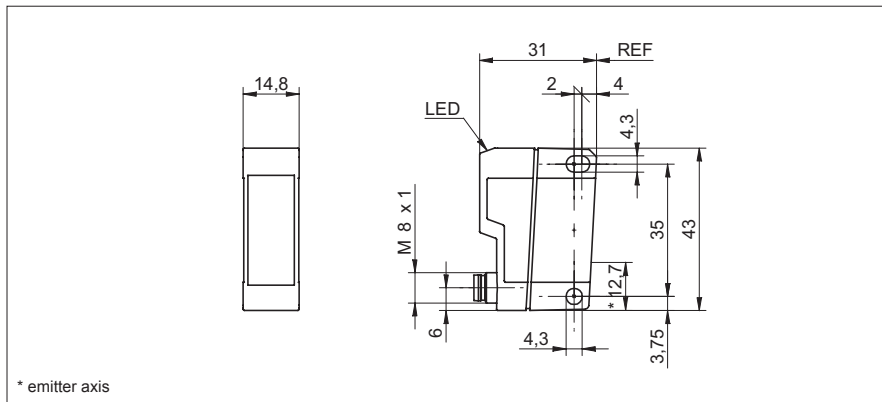
Last change:

Distance sensor

FADK 14U4470/S35A

Mat.-No.: 11003898

dimension drawing

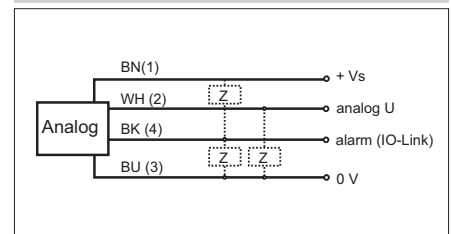


- analog distance measuring sensor with red light LED
- IO-Link

general data

sensing element	photoelectric array
measuring distance Sd	50 ... 400 mm
adjustment	IO-Link
power on indication	LED green
soiled lens indicator	LED red
resolution	0,1 ... 1 mm
linearity error	±0,4 ... 3 mm
light source	pulsed point source LED
wave length	660 nm
beam type	point
beam diameter	approx. 6 mm (at Sd = 300 mm)

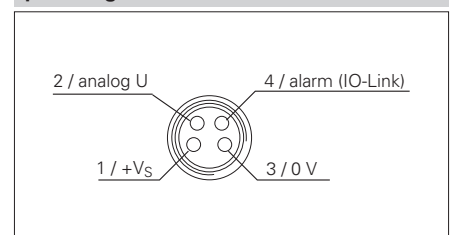
connection diagram



electrical data

response time / release time	≤ 5 ms
voltage supply range +Vs	12 ... 30 VDC
current consumption max.	tbd
output circuit	analog
output signal	0 ... 10 VDC
load resistance (analog U)	> 100 kOhm
output current	< 100 mA
alarm output	push-pull
short circuit protection	yes
reverse polarity protection	yes, Vs to GND
IO-Link	yes

pin assignment



mechanical data

width / diameter	14,8 mm
height / length	43 mm
depth	31 mm
housing material	plastic (ASA, MABS)
front (optics)	PMMA
connection types	connector M8 4 pin

ambient conditions

operating temperature	tbd
protection class	IP 67